



THIS FITNESS AREA & EQUIPMENT IS  
DESIGNED FOR AGES 13+ YEARS

THIS CONCEPTUAL PLAN WAS BASED ON  
INFORMATION AVAILABLE TO US. PRIOR TO  
CONSTRUCTION, DETAILED SITE INFORMATION  
INCLUDING SITE DIMENSIONS, TOPOGRAPHY  
EXISTING UTILITIES, SOIL CONDITIONS, AND  
DRAINAGE SOLUTIONS SHOULD BE OBTAINED,  
EVALUATED, & UTILIZED IN THE FINAL DESIGN.  
PLEASE VERIFY ALL DIMENSIONS OF PLAY  
AREA, SIZE, ORIENTATION, AND LOCATION OF  
ALL EXISTING UTILITIES, EQUIPMENT, AND  
SITE FURNISHINGS PRIOR TO ORDERING.

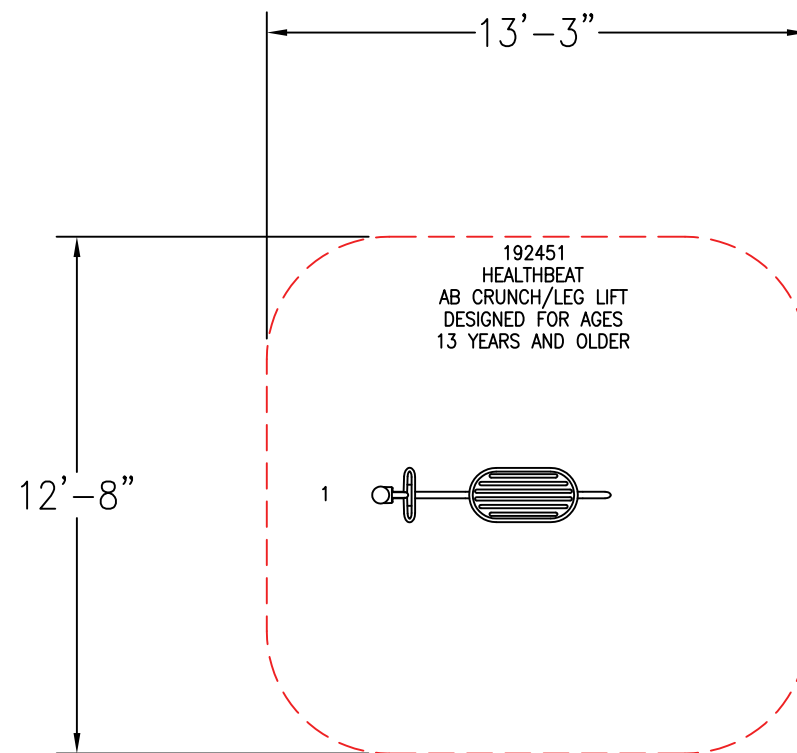
THE EQUIPMENT SHOWN IS TO BE  
CONSIDERED FITNESS EQUIPMENT ONLY.  
APPROPRIATE SIGNAGE INDICATING THIS  
IS STRONGLY RECOMMENDED.  
IT IS ALSO RECOMMENDED THAT FITNESS  
EQUIPMENT BE LOCATED AWAY FROM PLAY  
EQUIPMENT TO DISCOURAGE PLAY.

DRAWING NOTES:

DESIGNED BY:

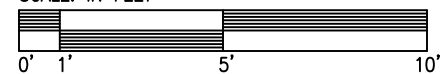
COPYRIGHT: 1/6/15  
LANDSCAPE STRUCTURES, INC.  
601 7th STREET SOUTH - P.O. BOX 198  
DELANO, MINNESOTA 55328  
PH: 1-800-328-0035 FAX: 1-763-972-8091

No.	Revision/Issue	Date



Freestanding Play  
(13+ years)

SCALE: IN FEET



HealthBeat  
Ab Crunch/Leg Lift  
Delano, MN

Landscape Structures

Free Standing

81012-6-1

